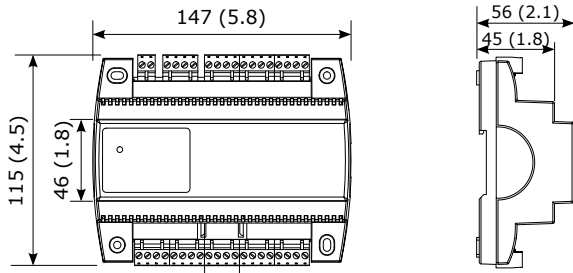
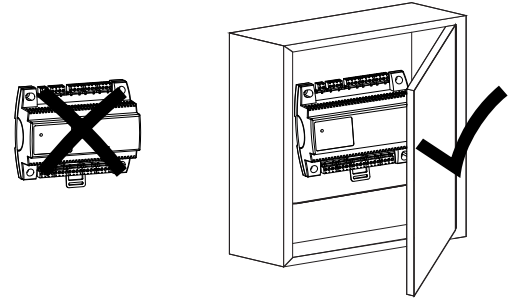


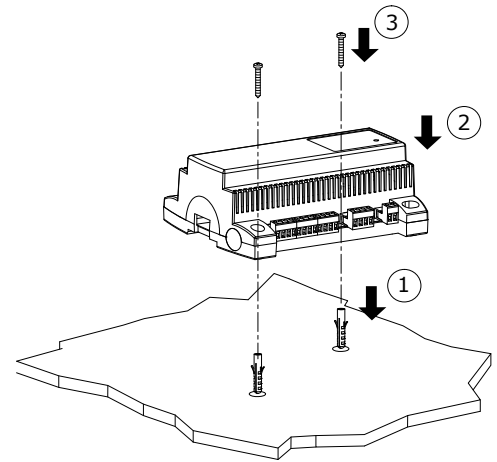
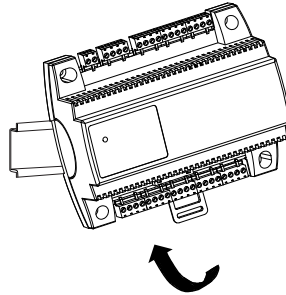
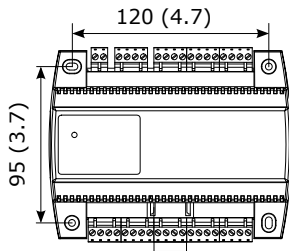
A mm (inch)



B

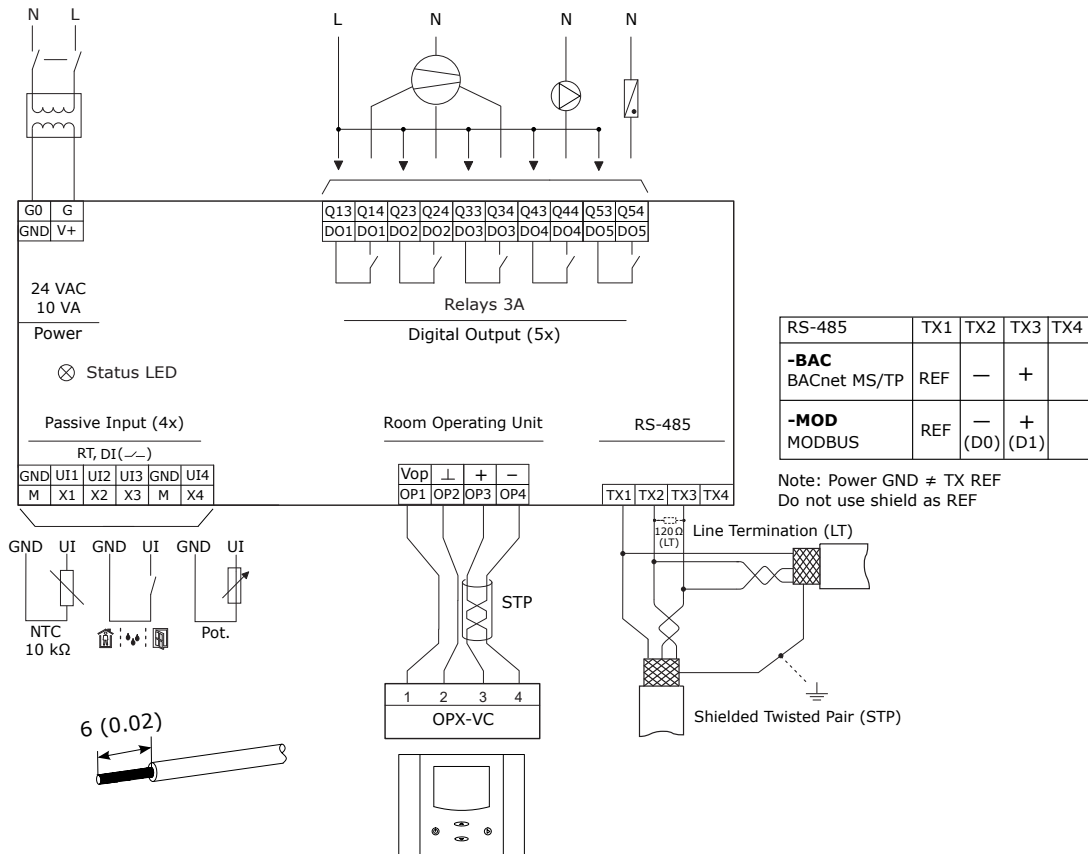


C



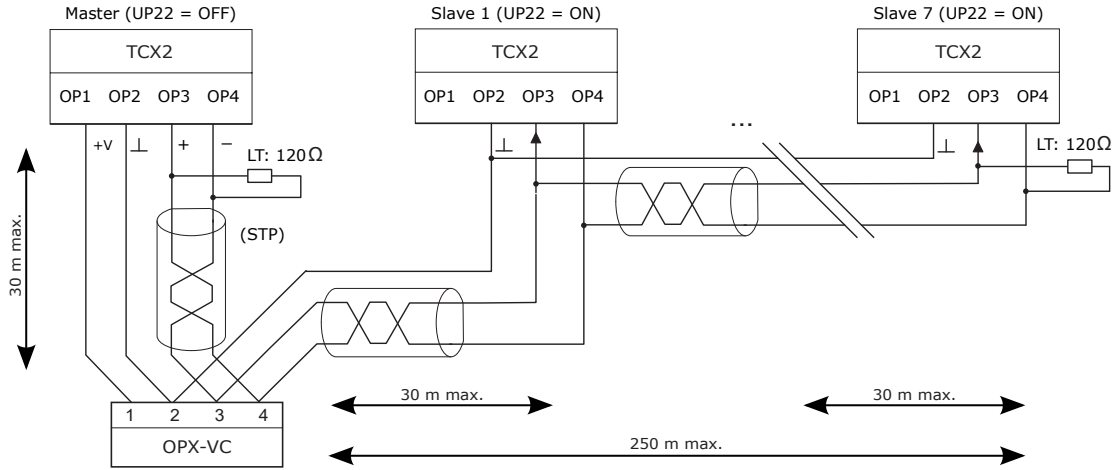
D

24V AC/DC G0 = M = GND



E

Master-Slave (max. 8x TCX2, 1x OPX-VC)



AEC-PM1

